



AC AXIAL FAN

<http://www.aurics.com.tw>

FEATURES

General Specification

- Insulation resistance : 10M at 500 VDC.
- Dielectric strength : One minute @ 1500VAC / 50-60Hz
- Operating temperature : -10 ~+70 (normal humidity)
- Storage temperature : -40 ~+80 (normal humidity)

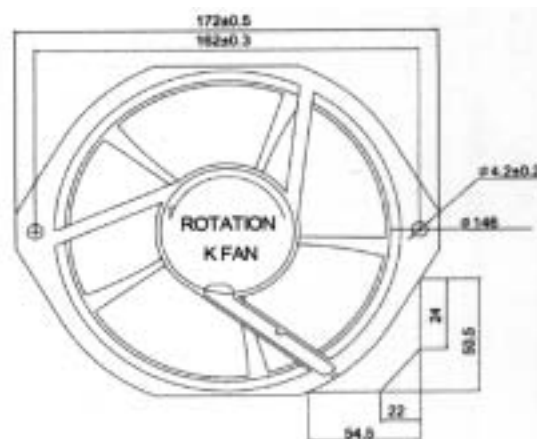
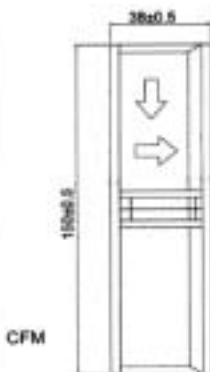
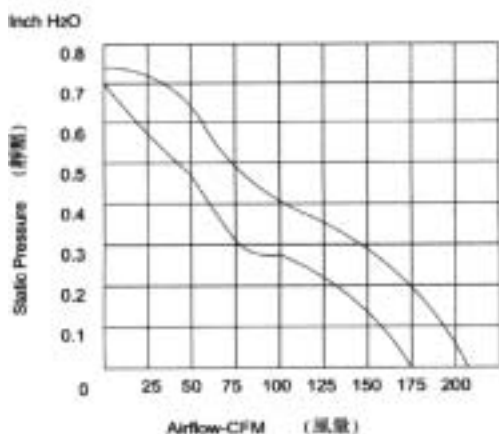
Material

- Bearing System : Sleeve Bearing & Ball Bearing.
- Impeller : PBT +30% Fiber Glass. Black Color, UL94V-0.
- Housing : Aluminium Die-Cast.
- Lead Wire : UL1007 #22AWG
- Motor : Shaded Pole, Impedance Protected.
- Weight : 720 grams

172x150x38mm SERIES



PERFORMANCE & DIMENSIONS



THE DETAIL SPECIFICATIONS ARE AS BELOWS :

Other technical characteristics are available on request.

MODEL NO.	BALL BEARING	VOLT (VAC)	FREQUENCY (Hz)	CURRENT (A)	POEER (W)	SPEED (RPM)	AIR VOLUME (CFM)	NOISE (Dba)
AFB1738H-1	BALL	110/120	50/60	0.40/0.38	30/28	2700/2900	205/230	54/58
AFB1738H-2		220/240		0.28/0.23	38/35			

Note : The Specifications of this catalogue will be updated and it`s according to the approval sheet.