



# DC BRUSHLESS FAN

<http://www.aurics.com.tw>

## 92x92x25mm SERIES

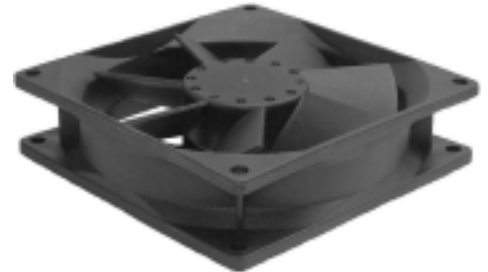
### FEATURES

#### General Specification

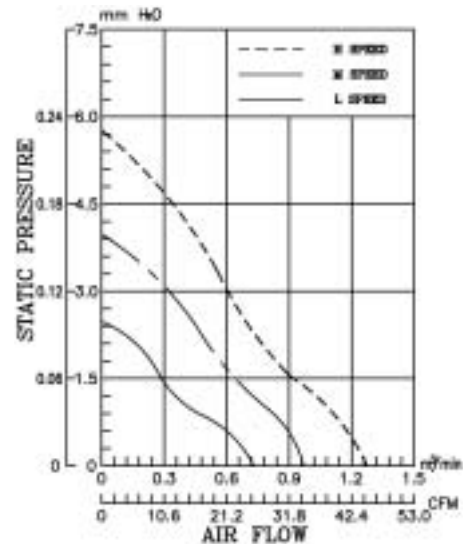
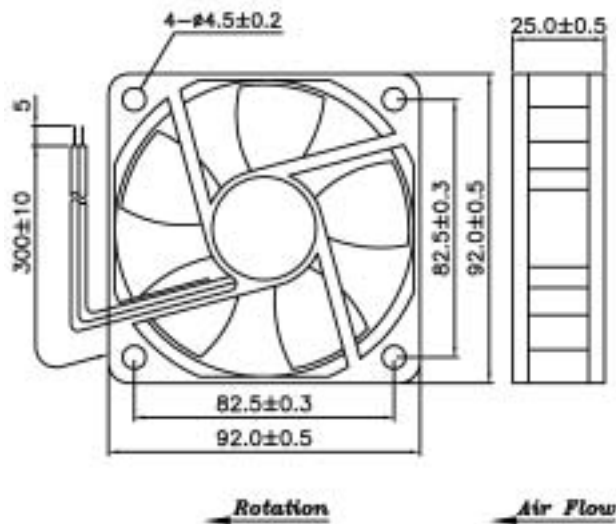
- Insulation resistance : More than 10M at 250 VDC.
- Dielectric strength : 500 VDC. 60 sec or 600 VAC. 2 sec.
- Operating temperature : -10 ~70 (normal humidity)
- Storage temperature : -40 ~75 (normal humidity)

#### Material

- Housing : UL 94V-0 Glass filled polyester (P.B.T.)
- Fan blade : UL 94V-0 Glass filled polyester (P.B.T.)
- Lead wire : UL 1007, 24AWG ( + : Red, - : Black )
- Weight : 95 grams
- RoHS compliant part



### DIMENSIONS & PERFORMANCE



### THE DETAIL SPECIFICATIONS ARE AS BELOWS :

Other technical characteristics are available on request.

MODEL NO.	BALL BEARING	RATED VOLTAGE (V)	INPUT CURRENT (A)	INPUT POEER (W)	SPEED (RPM)	MAX.AIR VOLUME (CFM)	MAX.STAT. PRESSURE ( inch-H <sub>2</sub> O )	NOISE LEVEL ( dBA )
DFB922512H	BALL	12	0.23	2.76	3000	45.0	0.23	34.0
DFS922512H	SLEEVE							
DFB922512M	BALL		0.19	2.28	2500	35.0	0.16	30.0
DFS922512M	SLEEVE							
DFB922512L	BALL		0.16	1.92	2000	25.0	0.10	26.0
DFS922512L	SLEEVE							
DFB922524H	BALL	24	0.14	3.36	3000	45.0	0.23	34.0
DFS922524H	SLEEVE							
DFB922524M	BALL		0.12	2.88	2500	35.0	0.16	30.0
DFS922524M	SLEEVE							
DFB922524L	BALL		0.10	2.4	2000	25.0	0.10	26.0
DFS922524L	SLEEVE							

Note : The Specifications of this catalogue will be updated and it's according to the approval sheet.