



DC BRUSHLESS FAN

<http://www.aurics.com.tw>

80x80x25mm SERIES

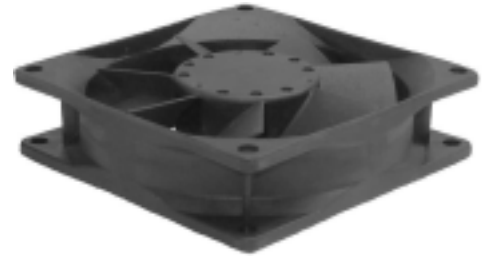
FEATURES

General Specification

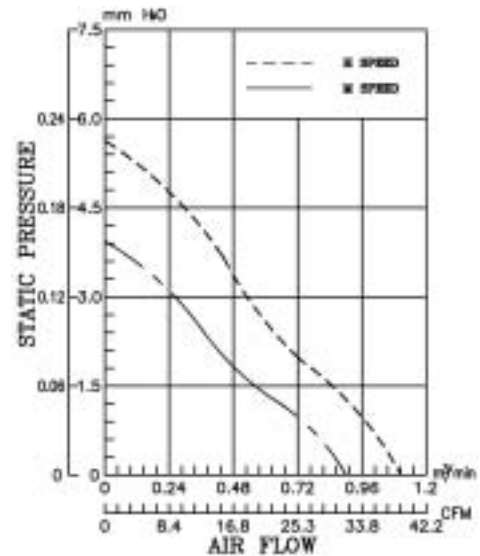
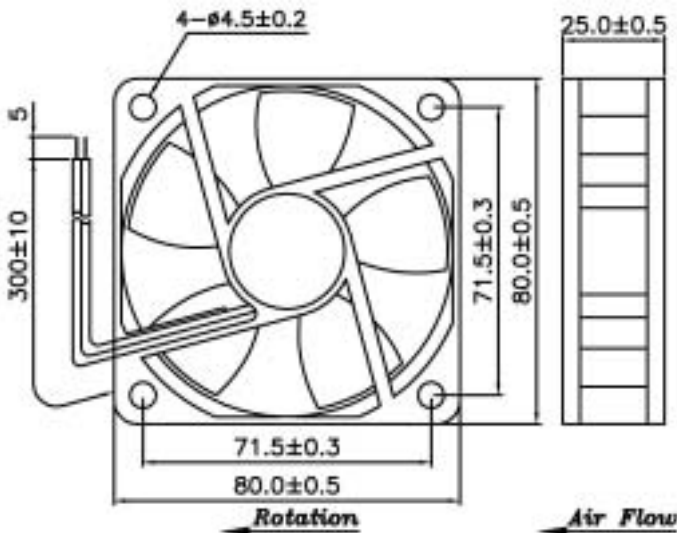
- Insulation resistance : More than 10M at 250 VDC.
- Dielectric strength : 500 VDC. 60 sec or 600 VAC. 2 sec.
- Operating temperature : -10 ~70 (normal humidity)
- Storage temperature : -40 ~75 (normal humidity)

Material

- Housing : UL 94V-0 Glass filled polyester (P.B.T.)
- Fan blade : UL 94V-0 Glass filled polyester (P.B.T.)
- Lead wire : UL 1007, 24AWG (+ : Red, - : Black)
- Weight : 87 grams
- RoHS compliant part



DIMENSIONS & PERFORMANCE



THE DETAIL SPECIFICATIONS ARE AS BELOWS :

Other technical characteristics are available on request.

MODEL NO.	BALL BEARING	RATED VOLTAGE (V)	INPUT CURRENT (A)	INPUT POEER (W)	SPEED (RPM)	MAX. AIR VOLUME (CFM)	MAX. STAT. PRESSURE (inch-H ₂ O)	NOISE LEVEL (dBA)
DFB802512H	BALL	12	0.16	1.92	3000	40.0	0.23	33.0
DFS802512H	SLEEVE							
DFB802512M	BALL		0.12	1.44	2500			
DFS802512M	SLEEVE							
DFB802524H	BALL	24	0.12	2.88	3000	40.0	0.23	33.0
DFS802524H	SLEEVE							
DFB802524M	BALL		0.10	2.4	2500			
DFS802524M	SLEEVE							

Note : The Specifications of this catalogue will be updated and it's according to the approval sheet.