



DC BRUSHLESS FAN

<http://www.aurics.com.tw>

60x60x25mm SERIES

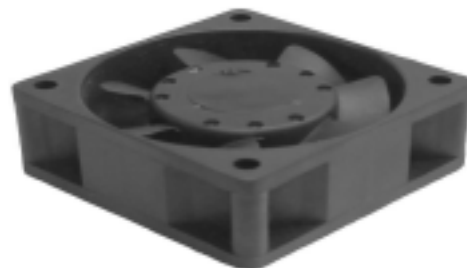
FEATURES

General Specification

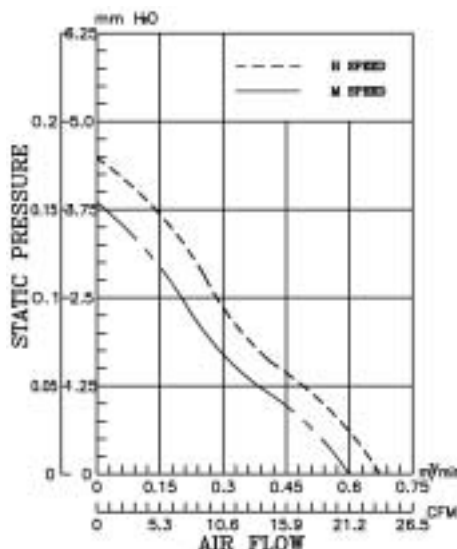
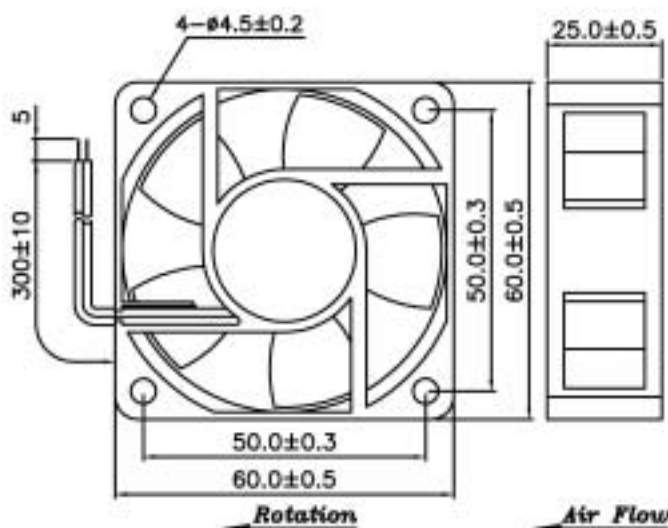
- Insulation resistance : More than 10M at 250 VDC.
- Dielectric strength : 500 VDC. 60 sec or 600 VAC. 2 sec.
- Operating temperature : -10 ~70 (normal humidity)
- Storage temperature : -40 ~75 (normal humidity)

Material

- Housing : UL 94V-0 Glass filled polyester (P.B.T.)
- Fan blade : UL 94V-0 Glass filled polyester (P.B.T.)
- Lead wire : UL 1007, 24AWG (+ : Red, - : Black)
- Weight : 70 grams
- RoHS compliant part



DIMENSIONS & PERFORMANCE



THE DETAIL SPECIFICATIONS ARE AS BELOWS :

Other technical characteristics are available on request.

MODEL NO.	BALL BEARING	RATED VOLTAGE (V)	INPUT CURRENT (A)	INPUT POEER (W)	SPEED (RPM)	MAX.AIR VOLUME (CFM)	MAX.STAT. PRESSURE (inch-H ₂ O)	NOISE LEVEL (dBA)
DFB602512H	BALL	12	0.14	1.68	4400	24.0	0.18	31.0
DFS602512H	SLEEVE							
DFB602512M	BALL		0.10	1.2	3800	21.5	0.155	28.0
DFS602512M	SLEEVE							
DFB602524H	BALL	24	0.08	1.92	4400	24.0	0.18	31.0
DFS602524H	SLEEVE							
DFB602524M	BALL		0.06	1.44	3800	21.5	0.155	28.0
DFS602524M	SLEEVE							

Note : The Specifications of this catalogue will be updated and it`s according to the approval sheet.