



DC BRUSHLESS FAN

<http://www.aurics.com.tw>

60x60x20mm SERIES

FEATURES

General Specification

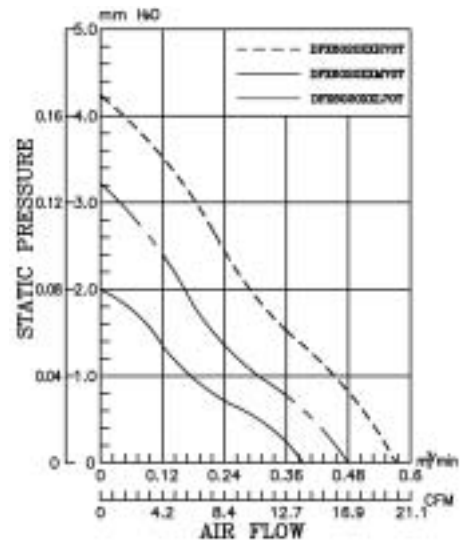
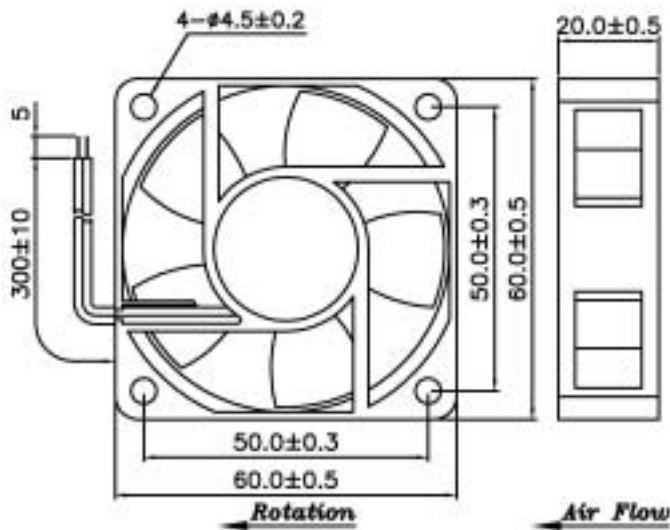
- Insulation resistance : More than 10M at 250 VDC.
- Dielectric strength : 500 VDC. 60 sec or 600 VAC. 2 sec.
- Operating temperature : -10 ~70 (normal humidity)
- Storage temperature : -40 ~75 (normal humidity)

Material

- Housing : UL 94V-0 Glass filled polyester (P.B.T.)
- Fan blade : UL 94V-0 Glass filled polyester (P.B.T.)
- Lead wire : UL 1007, 28AWG (+ : Red, - : Black)
- Weight : 51 grams
- RoHS compliant part



DIMENSIONS & PERFORMANCE



THE DETAIL SPECIFICATIONS ARE AS BELOWS :

Other technical characteristics are available on request.

MODEL NO.	BALL BEARING	RATED VOLTAGE (V)	INPUT CURRENT (A)	INPUT POEER (W)	SPEED (RPM)	MAX. AIR VOLUME (CFM)	MAX. STAT. PRESSURE (inch-H ₂ O)	NOISE LEVEL (dBA)
DFB602012H70T	BALL	12	0.16	1.92	4300	20.0	0.17	32.0
DFS602012H70T	SLEEVE							
DFB602012M70T	BALL		0.12	1.32	3700	17.0	0.13	28.0
DFS602012M70T	SLEEVE							
DFB602012L70T	BALL		0.08	0.96	3000	13.5	0.08	25.0
DFS602012L70T	SLEEVE							
DFB602024H70T	BALL	24	0.1	2.4	4300	20.0	0.17	32.0
DFS602024H70T	SLEEVE							
DFB602024M70T	BALL		0.06	1.44	3700	17.0	0.13	28.0
DFS602024M70T	SLEEVE							

Note : The Specifications of this catalogue will be updated and it`s according to the approval sheet.