



DC BRUSHLESS FAN

<http://www.aurics.com.tw>

60x60x15mm SERIES

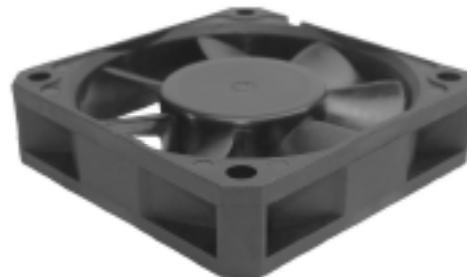
FEATURES

General Specification

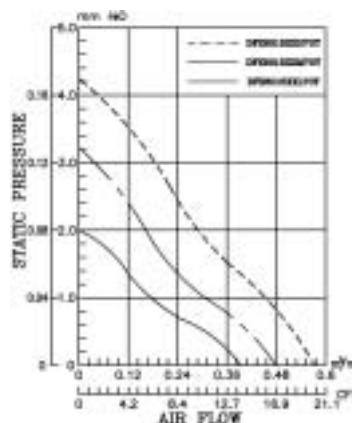
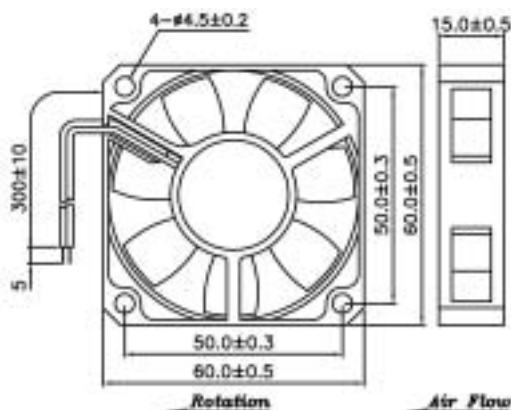
- Insulation resistance:** More than 10M at 250 VDC.
- Dielectric strength:** 500 VDC. 60 sec or 600 VAC. 2 sec.
- Operating temperature:** -10 ~70 (normal humidity)
- Storage temperature:** -40 ~75 (normal humidity)

Material

- Housing:** UL 94V-0 Glass filled polyester (P.B.T.)
- Fan blade:** UL 94V-0 Glass filled polyester (P.B.T.)
- Lead wire:** UL 1007, 28AWG (+ : Red, - : Black)
- Weight:** 43 grams
- RoHS compliant part**



DIMENSIONS & PERFORMANCE



THE DETAIL SPECIFICATIONS ARE AS BELOWS :

Other technical characteristics are available on request.

MODEL NO.	BALL BEARING	RATED VOLTAGE (V)	INPUT CURRENT (A)	INPUT POEER (W)	SPEED (RPM)	MAX. AIR VOLUME (CFM)	MAX. STAT. PRESSURE (inch-H ₂ O)	NOISE LEVEL (dBA)							
DFB601605H	2 BALL	5	0.3	1.5	4300	20.0	0.17	32.0							
DFC601605H	1 BALL														
DFS601605H	SLEEVE														
DFB601605M	2 BALL														
DFC601605M	1 BALL														
DFS601605M	SLEEVE														
DFB601512H70T	2 BALL	12	0.16	1.92	4300	20.0	0.17	32.0							
DFC601512H70T	1 BALL														
DFS601512H70T	SLEEVE														
DFB601512M70T	2 BALL														
DFC601512M70T	1 BALL														
DFS601512M70T	SLEEVE														
DFB601512L70T	2 BALL	24	0.08	0.96	3000	13.5	0.08	25.0							
DFC601512L70T	1 BALL														
DFS601512L70T	SLEEVE														
DFB601524H70T	2 BALL								24	0.08	1.92	4300	20.0	0.17	32.0
DFC601524H70T	1 BALL														
DFS601524H70T	SLEEVE														

Note : The Specifications of this catalogue will be updated and it's according to the approval sheet.