



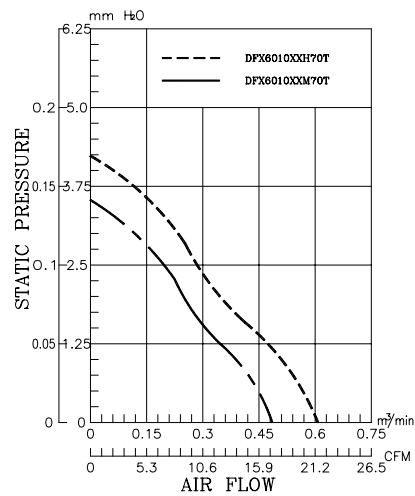
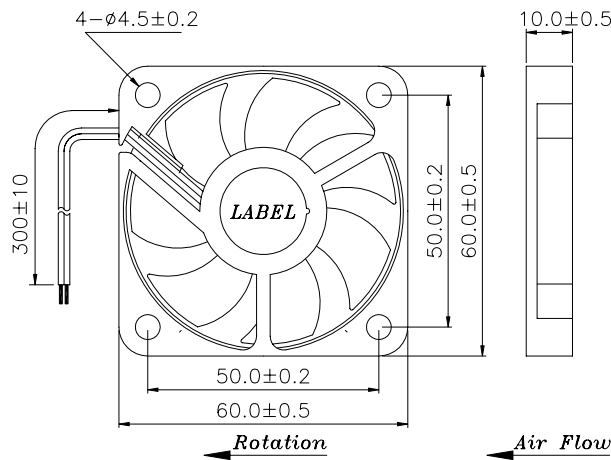
General Specification

- Insulation resistance :** More than 10M at 250 VDC.
- Dielectric strength :** 500 VDC. 60 sec or 600 VAC. 2 sec.
- Operating temperature :** -10 ~70 (normal humidity)
- Storage temperature :** -40 ~75 (normal humidity)



Material

- Housing :** UL 94V-0 Glass filled polyester (P.B.T.)
- Fan blade :** UL 94V-0 Glass filled polyester (P.B.T.)
- Lead wire :** UL 2468, 26AWG (+ : Red, - : Black)
- RoHS compliant part**



Model NO.	Sleeve One Ball Two Ball	Rated Voltage (V)	Input Current (A)	Input Power (W)	Speed (RPM)	Max. Air Volume (CFM)	Max. Stat. Pressure (inch-H ₂ O)	Noise Level (dBA)	Weight (G)
DFB601005H70T		5	0.24	1.2	5000	21.3	0.17	31	30
DFB601005M70T		5	0.18	0.9	4000	17.5	0.14	26	
DFC601005H70T		5	0.24	1.2	5000	21.3	0.17	31	
DFC601005M70T		5	0.18	0.9	4000	17.5	0.14	26	
DFS601005H70T		5	0.24	1.2	5000	21.3	0.17	31	
DFS601005M70T		5	0.18	0.9	4000	17.5	0.14	26	
DFB601012H70T		12	0.15	1.8	5000	21.3	0.17	31	
DFB601012M70T		12	0.1	1.2	4000	17.5	0.14	26	
DFC601012H70T		12	0.15	1.8	5000	21.3	0.17	31	
DFC601012M70T		12	0.1	1.2	4000	17.5	0.14	26	
DFS601012H70T		12	0.15	1.8	5000	21.3	0.17	31	
DFS601012M70T		12	0.1	1.2	4000	17.5	0.14	26	
DFB601024H70T		24	0.07	1.68	5000	21.3	0.17	31	
DFB601024M70T		24	0.05	1.2	4000	17.5	0.14	26	
DFC601024H70T		24	0.07	1.68	5000	21.3	0.17	31	
DFC601024M70T		24	0.05	1.2	4000	17.5	0.14	26	
DFS601024H70T		24	0.07	1.68	5000	21.3	0.17	31	
DFS601024M70T		24	0.05	1.2	4000	17.5	0.14	26	

The Specifications of this catalogue will be updated and it`s according to the approval sheet.