



# DC BRUSHLESS FAN

<http://www.aurics.com.tw>

## 50x50x15mm SERIES

### FEATURES

#### General Specification

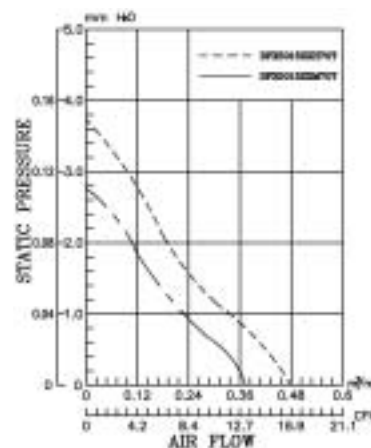
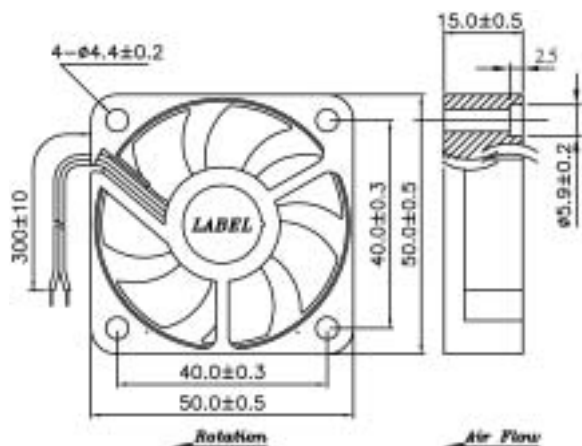
- Insulation resistance : More than 10M at 250 VDC.
- Dielectric strength : 500 VDC. 60 sec or 600 VAC. 2 sec.
- Operating temperature : -10 ~70 (normal humidity)
- Storage temperature : -40 ~75 (normal humidity)

#### Material

- Housing : UL 94V-0 Glass filled polyester (P.B.T.)
- Fan blade : UL 94V-0 Glass filled polyester (P.B.T.)
- Lead wire : UL 1007, 28AWG ( + : Red, - : Black )
- Weight : 23 grams
- RoHS compliant part



### DIMENSIONS & PERFORMANCE



THE DETAIL SPECIFICATIONS ARE AS BELOWS :

Other technical characteristics are available on request.

MODEL NO.	BALL BEARING	RATED VOLTAGE (V)	INPUT CURRENT (A)	INPUT POEER (W)	SPEED (RPM)	MAX.AIR VOLUME (CFM)	MAX.STAT. PRESSURE ( inch-H <sub>2</sub> O )	NOISE LEVEL ( dBA )
DFB521505H	2 BALL	5	0.30	1.5	5500	16.8	0.15	32.0
DFC521505H	1 BALL							
DFS521505H	SLEEVE							
DFB521505M	2 BALL		0.22	1.1	4500	13.7	0.11	28.0
DFC521505M	1 BALL							
DFS521505M	SLEEVE							
DFB501512H70T	2 BALL	12	0.18	2.16	5500	16.8	0.15	32.0
DFC501512H70T	1 BALL							
DFS501512H70T	SLEEVE							
DFB501512M70T	2 BALL		0.16	1.92	4500	13.7	0.11	28.0
DFC501512M70T	1 BALL							
DFS501512M70T	SLEEVE							
DFB501524M70T	2 BALL	24	0.08	1.92	4500	13.7	0.11	28.0
DFC501524M70T	1 BALL							
DFS501524M70T	SLEEVE							

Note : The Specifications of this catalogue will be updated and it`s according to the approval sheet.