



# DC BRUSHLESS FAN

<http://www.aurics.com.tw>

## 45x45x7.5mm SERIES

### FEATURES

#### General Specification

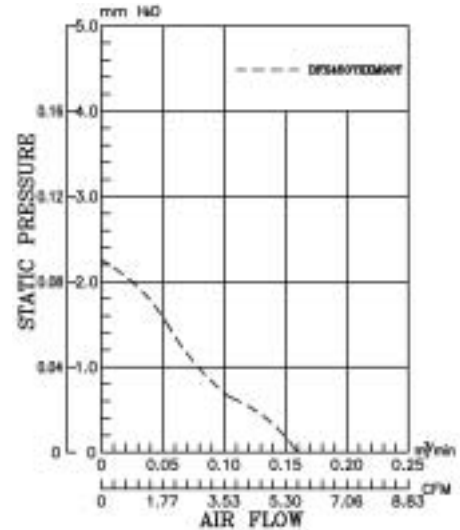
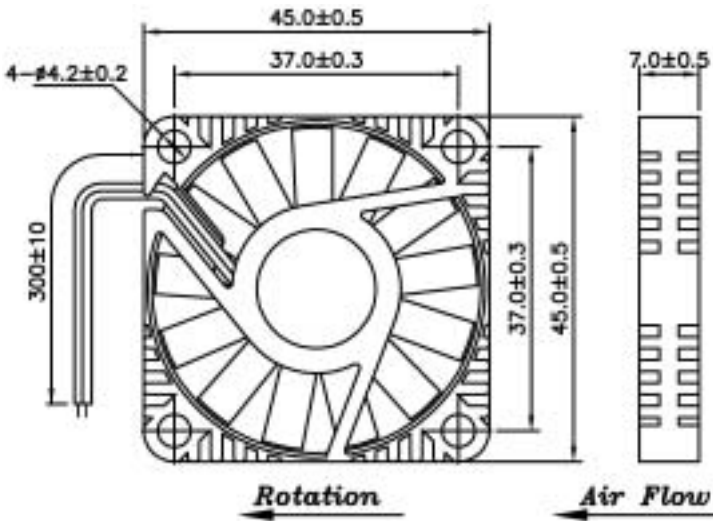
- Insulation resistance:** More than 10M at 250 VDC.
- Dielectric strength:** 500 VDC. 60 sec or 600 VAC. 2 sec.
- Operating temperature:** -10 ~70 (normal humidity)
- Storage temperature:** -40 ~75 (normal humidity)

#### Material

- Housing:** UL 94V-0 Glass filled polyester (P.B.T.)
- Fan blade:** UL 94V-0 Glass filled polyester (P.B.T.)
- Lead wire:** UL 1007, 28AWG ( + : Red, - : Black )
- Weight:** 15 grams
- RoHS compliant part**



### DIMENSIONS & PERFORMANCE



### THE DETAIL SPECIFICATIONS ARE AS BELOWS :

Other technical characteristics are available on request.

MODEL NO.	BALL BEARING	RATED VOLTAGE (V)	INPUT CURRENT (A)	INPUT POEER (W)	SPEED (RPM)	MAX.AIR VOLUME (CFM)	MAX.STAT. PRESSURE ( inch-H <sub>2</sub> O)	NOISE LEVEL ( dBA )
DFB450705M90T	BALL	5	0.30	1.5	5000	5.5	0.09	26.0
DFS450705M90T	SLEEVE							
DFB450712M90T	BALL	12	0.11	1.32	5000	5.5	0.09	26.0
DFS450712M90T	SLEEVE							

Note : The Specifications of this catalogue will be updated and it`s according to the approval sheet.