

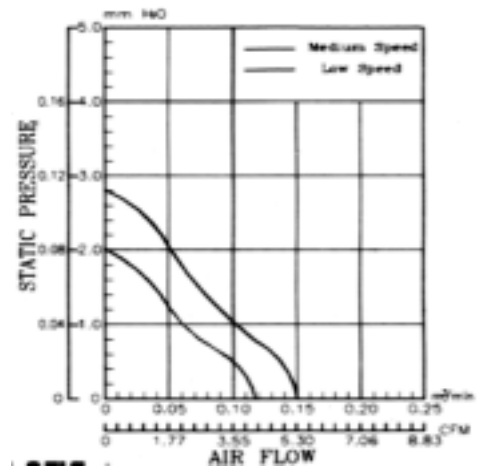
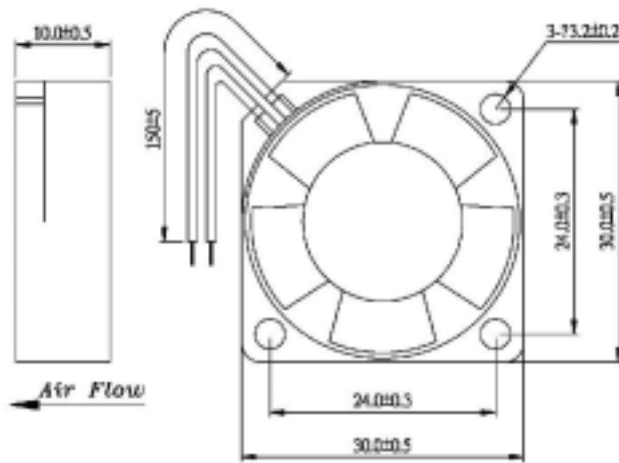


General Specification

- Insulation resistance :** More than 10M at 250 VDC.
- Dielectric strength :** 500 VDC. 60 sec or 600 VAC. 2 sec.
- Operating temperature :** -10 ~70 (normal humidity)
- Storage temperature :** -40 ~75 (normal humidity)

Material

- Housing :** UL 94V-0 Glass filled polyester (P.B.T.)
- Fan blade :** UL 94V-0 Glass filled polyester (P.B.T.)
- Lead wire :** UL 1571, 28AWG (+ : Red, - : Black)
- RoHS compliant part**



Model NO.	Sleeve One Ball Two Ball	Rated Voltage (V)	Input Current (A)	Input Power (W)	Speed (RPM)	Max. Air Volume (CFM)	Max. Stat. Pressure (inch-H ₂ O)	Noise Level (dBA)	Weight (G)
DFB301005M50T		5	0.15	0.75	10000	5.8	0.16	24.0	9
DFC301005M50T		5	0.15	0.75	10000	5.8	0.16	24.0	
DFS301005M50T		5	0.15	0.75	10000	5.8	0.16	24.0	
DFB301005L50T		5	0.10	0.5	8500	4.8	0.13	21.0	
DFC301005L50T		5	0.10	0.5	8500	4.8	0.13	21.0	
DFS301005L50T		5	0.10	0.5	8500	4.8	0.13	21.0	
DFB301012M50T		12	0.06	0.72	10000	5.8	0.16	24.0	
DFC301012M50T		12	0.06	0.72	10000	5.8	0.16	24.0	
DFS301012M50T		12	0.06	0.72	10000	5.8	0.16	24.0	
DFB301012L50T		12	0.05	0.6	8500	4.8	0.13	21.0	
DFC301012L50T		12	0.05	0.6	8500	4.8	0.13	21.0	
DFS301012L50T		12	0.05	0.6	8500	4.8	0.13	21.0	

The Specifications of this catalogue will be updated and it's according to the approval sheet.