



# DC BRUSHLESS FAN

<http://www.aurics.com.tw>

## 120x120x25mm SERIES

### FEATURES

#### General Specification

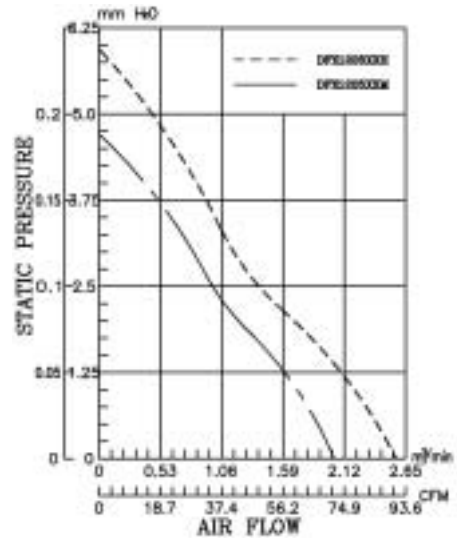
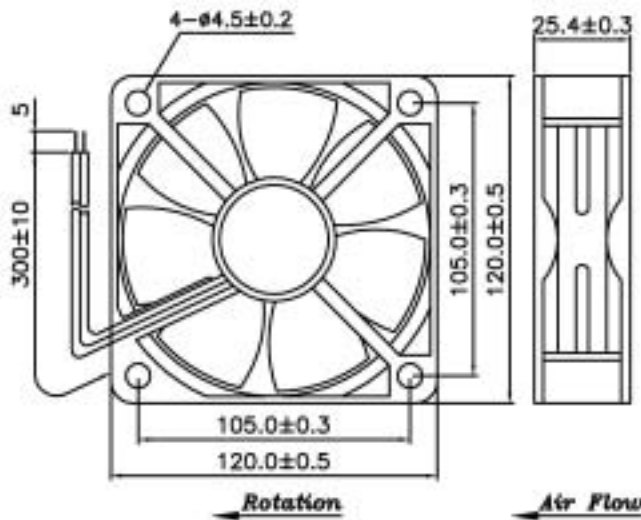
- Insulation resistance : More than 10M at 250 VDC.
- Dielectric strength : 500 VDC. 60 sec or 600 VAC. 2 sec.
- Operating temperature : -10 ~70 (normal humidity)
- Storage temperature : -40 ~75 (normal humidity)

#### Material

- Housing : UL 94V-0 Glass filled polyester (P.B.T.)
- Fan blade : UL 94V-0 Glass filled polyester (P.B.T.)
- Lead wire : UL 1007, 22AWG ( + : Red, - : Black )
- Weight : 180 grams
- RoHS compliant part



### DIMENSIONS & PERFORMANCE



### THE DETAIL SPECIFICATIONS ARE AS BELOWS :

Other technical characteristics are available on request.

MODEL NO.	BALL BEARING	RATED VOLTAGE (V)	INPUT CURRENT (A)	INPUT POEER (W)	SPEED (RPM)	MAX.AIR VOLUME (CFM)	MAX.STAT. PRESSURE (inch-H <sub>2</sub> O)	NOISE LEVEL (dBA)
DFB122512H	BALL	12	0.45	5.4	3000	90.0	0.24	40.0
DFS122512H	SLEEVE							
DFB122512M	BALL	12	0.35	4.2	2500	74.0	0.19	35.0
DFS122512M	SLEEVE							
DFB122524H	BALL	24	0.23	5.52	3000	90.0	0.24	40.0
DFS122524H	SLEEVE							
DFB122524M	BALL	24	0.17	4.08	2500	74.0	0.19	35.0
DFS122524M	SLEEVE							

Note : The Specifications of this catalogue will be updated and it's according to the approval sheet.